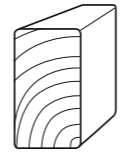


4 x | A = 240 cm (94 1/2")



2 x | B = 160 cm (63")

7 x | C = 120 cm (47 1/4")

1 x | D ≤ 103 cm (40 1/2")

2 x | E = 92 cm (36 1/4")

2 x | F = 64 cm (25 1/8")

2 x | G = 55 cm (21 5/8")

Platform h=1.25
2.37m Slide

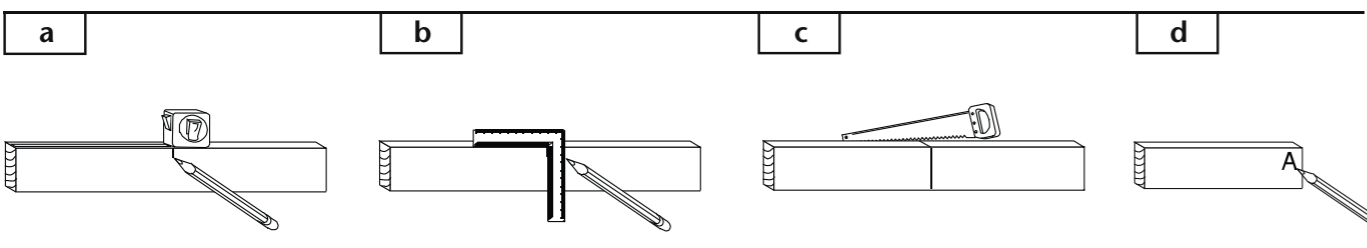
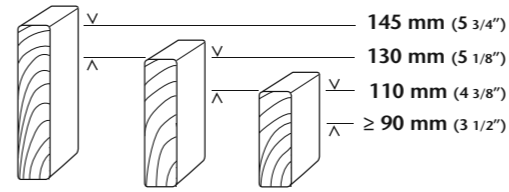
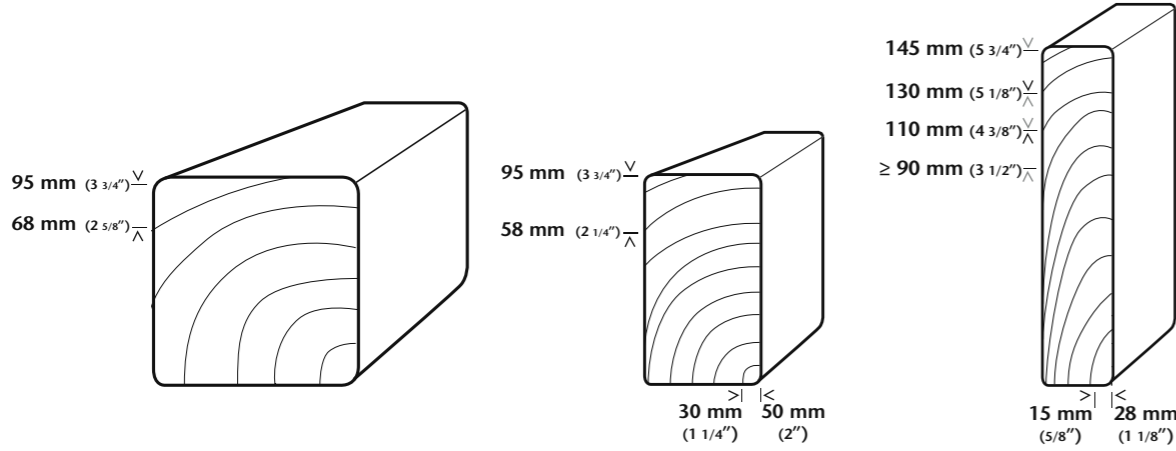
2 x | H = 175 cm (68 7/8")

2 x | I = 130 cm (51 1/8")

Platform h=1.45
2.60m Slide

2 x | H' = 150 cm (59")

2 x | I' = 150 cm (59")



16 x | 17 x | 19 x | J = 120 cm (47 1/4")

19 x | 22 x | 25 x | K = 60 cm (23 5/8")